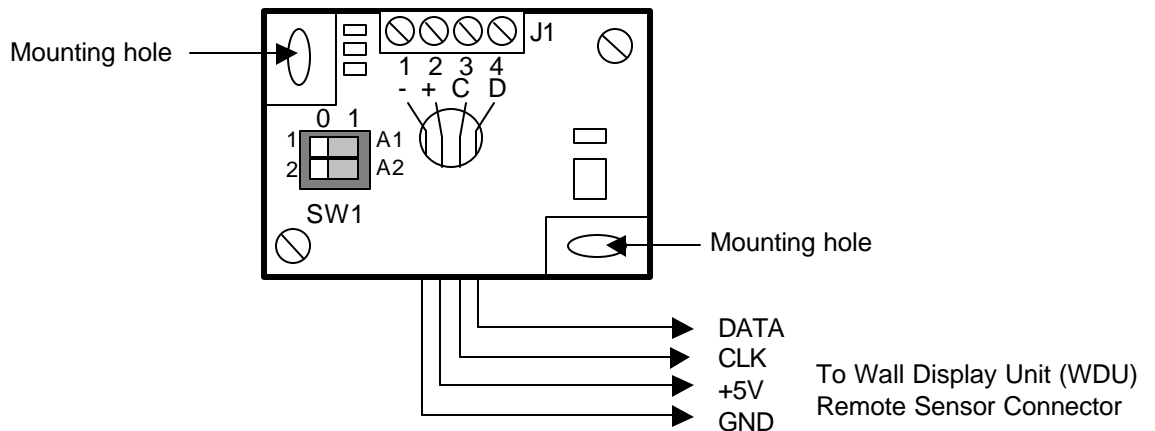


## INSTALLATION INSTRUCTIONS

REV C  
PN: 001-00402-04

1. Select best location for sensor to provide accurate temperature information. Locate away from windows and doors. Avoid outside walls, direct sunlight and heating/cooling vents.
2. Install wiring from Wall Display Unit to sensor location. Recommended wiring: Cat 5, 300 ft max for all installed sensors.
3. Remove power from Wall Display Unit before connecting remote sensor wires.
4. Remove cover from sensor case.
5. Route wiring through the holes in base and circuit board.
6. Connect wiring to terminal J1.
7. Set sensor address on dipswitch SW1.
8. Attach sensor base to wall and install cover.
9. Power up Wall Display Unit and verify that the installed sensor's temperature is displayed. If no display, check wiring/address. See WDU manual for sensor temperature operation.
10. **After power up, CHECK SENSOR CALIBRATION** from the Wall Display Unit. Verify Offset is zero or the desired temperature offset. See WDU manual for calibration instructions.

## WIRING DIAGRAM

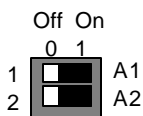


## SENSOR ADDRESS SETTING

**\*\* CHECK THIS SWITCH SETTING \*\***

**NOTE:** Not all Thermostat Wall Display Units versions support all Sensor Addresses. Check your thermostat Manual for details on remote sensor addressing.

- **REV A thru D TS15 Wall Display Units Only Support Sensor Address 1 (SW1=00)**
- REV E and later TS15 Wall Display Units support full sensor addressing.
- TS36 Wall Display Units support full sensor addressing



Default setting is Address 1. SW1=00

Address SW1 A1 A2, Off = 0 On = 1

- |   |  |   |   |   |
|---|--|---|---|---|
| 1 |  | 0 | 0 | Sensor Address 1 will be used <b>instead</b> of WDU Internal Sensor (Default).  |
| 2 |  | 1 | 0 | Sensor Address 2 will be averaged with the WDU Internal Sensor (or Sensor Address 1 if present) for a 2 sensor average.                             |
| 3 |  | 0 | 1 | Sensor Address 3 will be averaged with Sensor Address 2 <b>and</b> the WDU Internal Sensor (or Sensor Address 1 if present) for a 3 sensor average. |
| 4 |  | 1 | 1 | Sensor Address 4 is used as an Outside Temperature Sensor.  |